

# Swedotech® GRAB RAILS

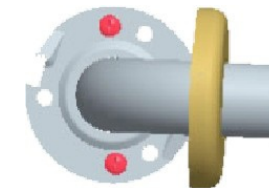
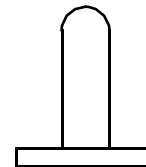
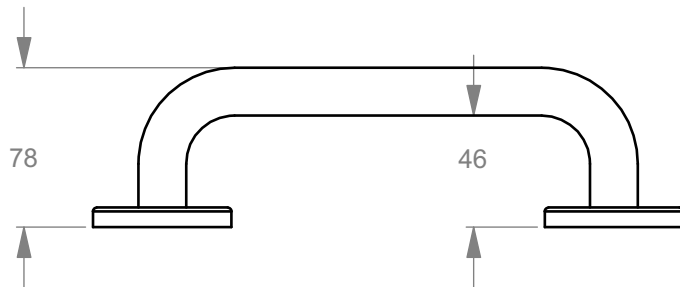
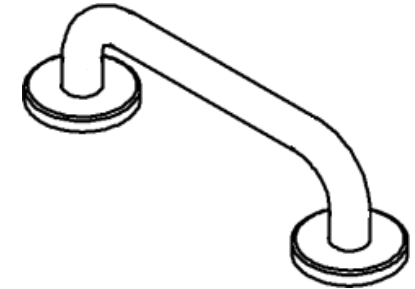
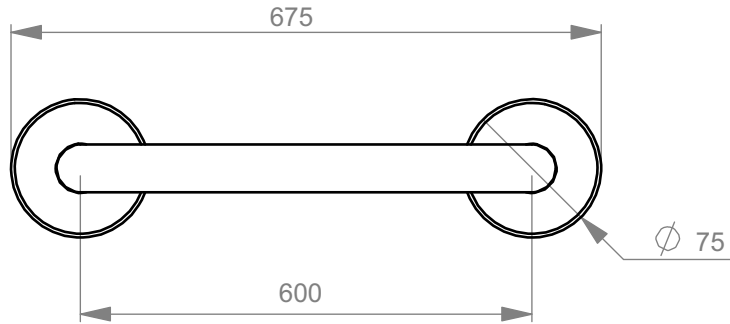
## GRABRAIL 600 mm

Finish: **BRUSHED**

Code:

GRADE 304 Stainless Steel

GRBSS001600



Measurements include flanges covering screw mounts (no screws visible after installation)

Dimensions are in millimeters  
Swedotech® reserves the right to change or discontinue rail designs and ranges from time to time without prior notice.  
Errors and omissions excluded.

Copyright Solutions medical 2013

021-592 3370 / sales@wheelchairs.co.za

[www.swedotech.com](http://www.swedotech.com)