

Swedotech® GRAB RAILS

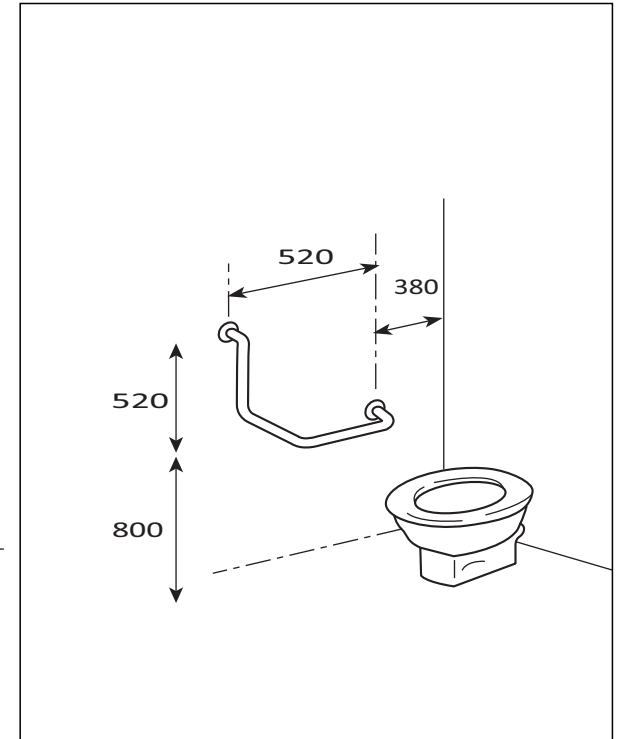
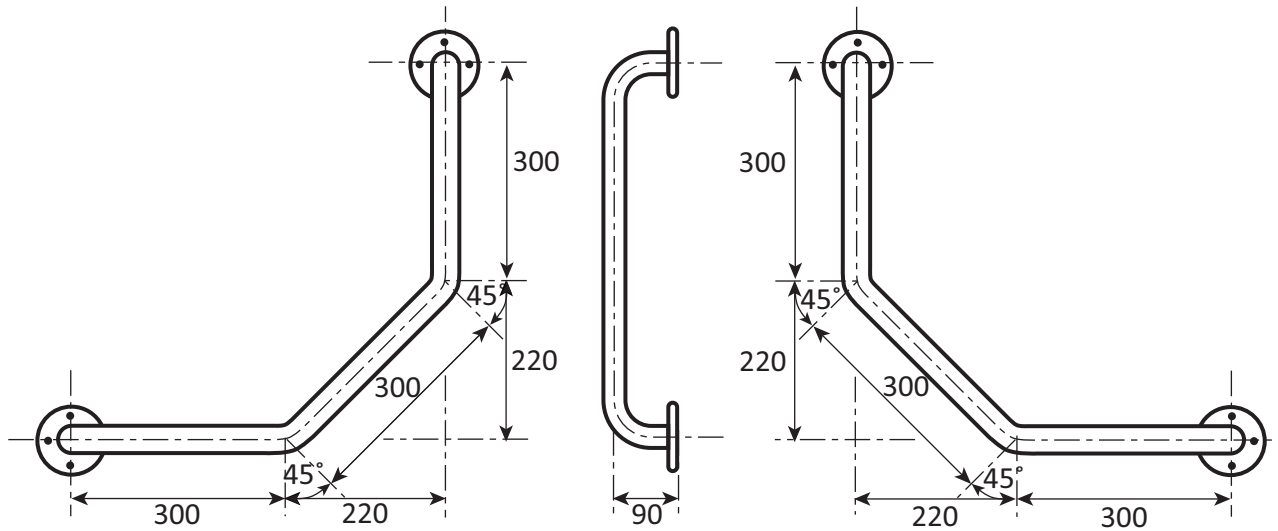
GRABRAIL 300X300X300 mm

Finish: BRUSHED

Code:

GRADE 304 Stainless Steel

GRCSS001300



Dimensions are in millimeters
Swedotech® reserves the right
to change or discontinue rail
designs and ranges from time
to time without prior notice.
Errors and omissions excluded.

Copyright Solutions medical 2013

021-592 3370 / sales@wheelchairs.co.za

www.swedotech.com

Swedotech
Innovation in style

www.swedotech.com