

Swedotech® GRAB RAILS

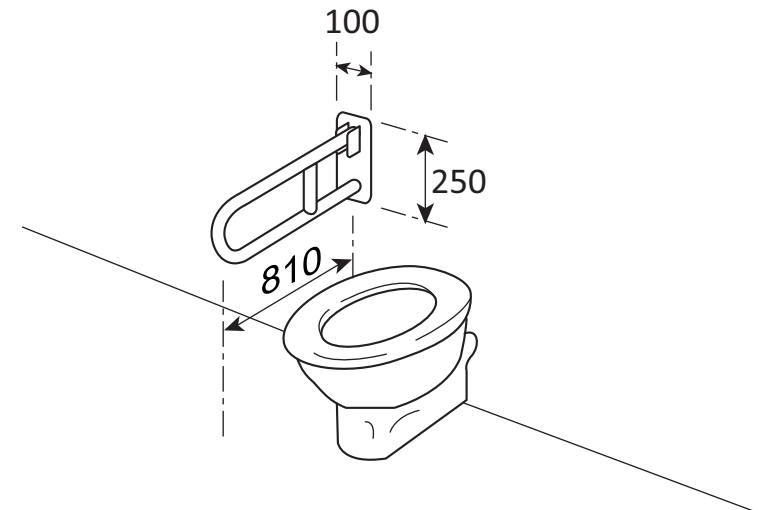
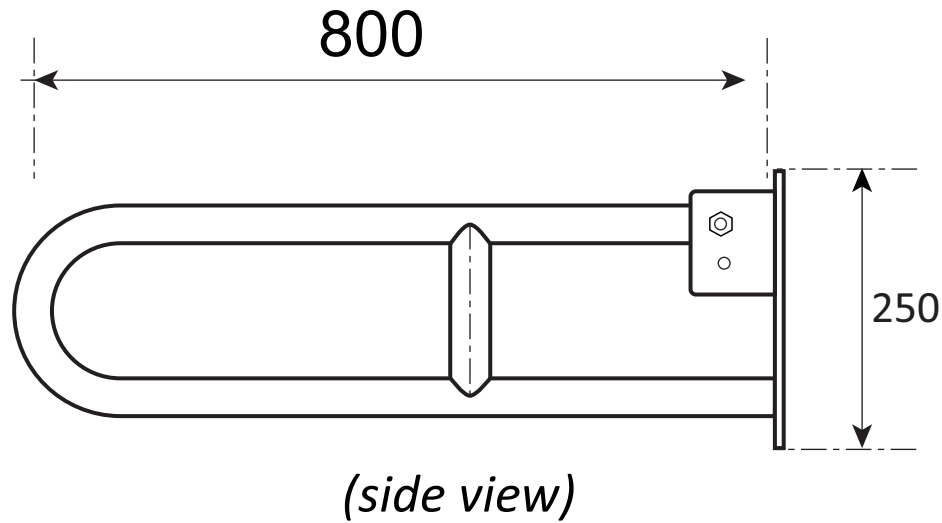
GRABRAIL 800 mm

Finish: **BRUSHED**

Code:

GRADE 304 Stainless Steel

GRFSS001800



6 mm pre drilled mounting holes
in wall plate

Dimensions are in millimeters
Swedotech® reserves the right
to change or discontinue rail
designs and ranges from time
to time without prior notice.
Errors and omissions excluded.

Copyright Solutions medical 2013

021-592 3370 / sales@wheelchairs.co.za

www.swedotech.com

Swedotech
Innovation in style

www.swedotech.com